

## *A Protection Class of its Own*

Over & Under Voltage Relay · OUV 400



# OUV 400

## Over & Under Voltage Relay

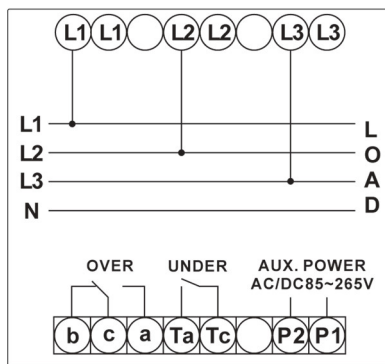


The **OUV400** is an over and under- voltage relay for industrial and commercial application. It is used in a wide variety of voltage sensitive equipment such as 3-phase AC motor, pump and ventilation fan require a balanced supply voltage to operate efficiently.

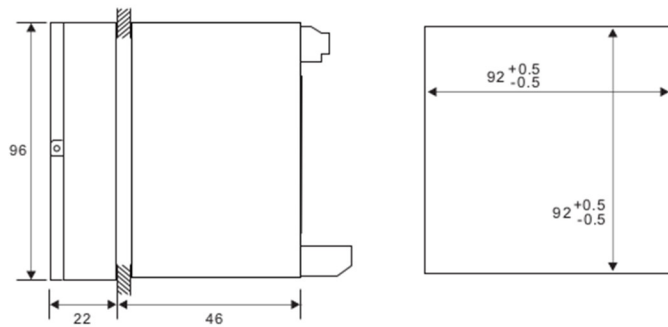
Key features:

- Over voltage limit protection
- Under voltage limit protection
- Microprocessor controlled DTL operation
- Backlit high contrast LCD display
- Wide operating range AUX voltage
- 4 Trip event records
- Sealable tamper proof front cover

### Connection Diagram



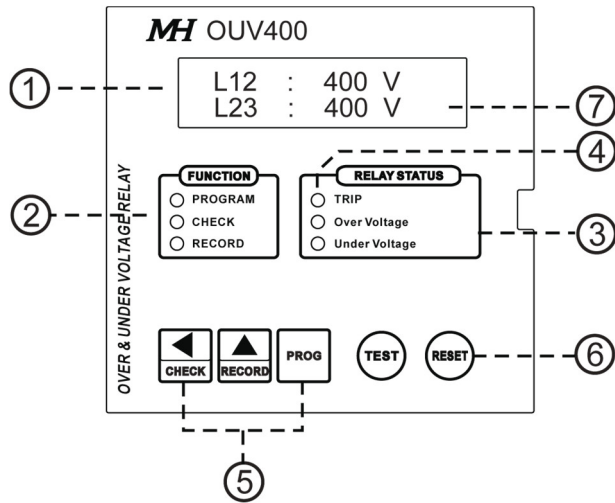
Connection Diagram



Product dimension and cut out panel opening size

### Conformity Assessment

EMC Emission	Radiated Emission (CISPR 11/22) Conducted Emission (CISPR 22)
EMC Immunity	IEC 61000-4-2 (IEC 60255-26) IEC 61000-4-3 (IEC 60255-26) IEC 61000-4-4 (IEC 60255-26) IEC 61000-4-5 (IEC 60255-26) IEC 61000-4-6 (IEC 60255-26) IEC 61000-4-8 (IEC 60255-26) IEC 61000-4-11 (IEC 60255-26)
Vibration, shock, bump	IEC 60255-21-1 IEC 60255-21-2
Product Safety	IEC 60255-27
Dry heat, damp heat steady state, cyclic temperature with humidity	IEC 60068-2-2 (IEC 60255-1) IEC 60068-2-78 (IEC 60255-1) IEC 60068-2-30 (IEC 60255-1)
Level of Protection	IP 54



### User Interface Features

1. Real time system voltage reading
2. Function indicators
3. Type of fault indicator
4. Trip status indicator
5. Function buttons
6. Test and Reset buttons
7. Trip info display

Technical Specification	
Functions	Values
Protection and Functionality Description	ANSI 59 – Overvoltage ANSI 27 – Undervoltage
Maximum Delay Time	60 seconds (step of 0.01s)
System Voltage Setting	60VAC to 480VAC (Line Voltage)
Pick Up Voltage Setting:	<ul style="list-style-type: none"> <li>• 100% to 130% of System Voltage (step of 1%)</li> <li>• 70% to 100% of System Voltage (step of 1%)</li> </ul>
Reset (Clear) Voltage Setting:	<ul style="list-style-type: none"> <li>• 100% to 130% of System Voltage (step of 1%)</li> <li>• 70% to 100% of System Voltage (step of 1%)</li> </ul>
Pick Up Accuracy	± 0.5% of full scale
Reset Accuracy	± 1% of full scale
Time Accuracy	± 3% of Trip Time or +/- 20ms whichever is higher (at no delay setting max 50ms)
Operating voltage AUX	AC/DC 85-265V (other voltage available upon request)
Power consumption	< 4VA
Tripping Output Relay Contacts	Overvoltage – NC/NO (250VAC 5A) Undervoltage – NO (250VAC 5A)
Display type	Backlit LCD high contrast display
Relay Status Indicator	Tripped – Red Color LED
Operating temperature	0 – 60°C
Communication interface	RS485 Modbus RTU (add-on module)
Trip Event recording	4 event recording
Operating humidity	< 95% RH (non-condensing)
Access control	User configurable PIN password
Housing material	ABS resin comply with UL94V0
Unit weight	Approximately 330g
Unit dimension	96mm (width) x 96mm (height) x 86mm (depth)

**Singapore (Headquarter)**

MUN HEAN SINGAPORE PTE LTD  
51 Kim Keat Road, Unit 05-01/02  
Mun Hean Industrial Building  
Singapore 328821  
Tel: +65-6250 0522  
Fax: +65-6253 6885 / +65-6253 5879  
Email: [munheansing@munhean.com.sg](mailto:munheansing@munhean.com.sg)

**Malaysia**

MUN HEAN (MALAYSIA) SDN BHD  
No. 15, Jalan SS26/6 Taman Mayang Jaya  
47301 Petaling Jaya, Selangor Darul Ehsan  
Malaysia  
Tel: +60 3-7804 2288  
Fax: +60 3-7803 1185  
Email: [munheanmy@munhean.com.my](mailto:munheanmy@munhean.com.my)

**Indonesia**

PT MUN HEAN INDONESIA  
Jl. Tanjung Daren Barat No. 27-27A  
Tanjung Duren Utara, Grogol,  
Petamburan Jakarta Barat 11470, Indonesia  
Tel: +62 21-5695 8828  
Fax: +62 21-5695 8829  
Email: [munheaindo@munhean.co.id](mailto:munheaindo@munhean.co.id)

**Vietnam**

MUN HEAN VIETNAM CO LTD  
68 Nguyen Quy Duc Street  
An Phu Ward, District 2  
Ho Chi Minh City, Vietnam  
Tel: +84 28-6281 0817 / 0819  
Fax: +84 28-6281 0815  
Email: [munheanvn@munhean.com.vn](mailto:munheanvn@munhean.com.vn)

**Myanmar**

MH POWER MYANMAR CO LTD  
No. 96 Yadanar Myaing Street  
Off Yangon-Insein Road (West Side)  
Kamaryut Township, Yangon, Myanmar  
Tel: +95 1-505 364  
Fax: +95 1-505 364  
Email: [mhmyanmar@munhean.com](mailto:mhmyanmar@munhean.com)

**Hong Kong**

MUN HEAN ELECTRICAL ENGINEERING (HK) CO LTD  
Unit 602, 6/F, Westlands Centre  
20 Westlands Road, Quarry Bay  
Hong Kong  
Tel: +852-2873 1711  
Fax: +852-2518 7013  
Email: [munheanhk@munhean.com.hk](mailto:munheanhk@munhean.com.hk)

**Taiwan**

MH ELECTRICAL SOLUTIONS CO LTD  
5F-3, No. 16, Lane 609  
Sec. 5 Chongxin Road, Sanchong Dist.  
New Taipei City 24159, Taiwan R.O.C.  
Tel: +886 2-2999 3993  
Fax: +886 2-2999 3779  
Email: [mhes@mh-tw.com](mailto:mhes@mh-tw.com)

**Beijing**

MUN HEAN HONG FEI (BEIJING) TECHNOLOGY CO LTD  
Room 3-2223, Gold Spring Times  
No. 317, Datun Li, Chaoyang District  
Beijing 100101, China  
Tel: +86 10-8483 9722  
Fax: +86 10-8483 9721  
Email: [mhhf@munhean.com.cn](mailto:mhhf@munhean.com.cn)

**Shenzhen**

MUN HEAN POWER TECHNOLOGY (SHENZHEN) CO LTD  
Room 2006, MeiLan Business Center  
QianJin 2<sup>nd</sup> Road, Xixiang Street, Baoan District  
Shenzhen 518102, China  
Tel: +86 755-2778 8081  
Fax: +86 755-2778 8083  
Email: [sales@munhean.cn](mailto:sales@munhean.cn)

**Philippines**

MH POLY-ELECTROMECHS, INC  
11th Floor, CyberOne Building  
Eastwood Cyberpark, Brgy. Bagumbayan  
Quezon City 1110, Philippines  
Tel: +63-2 8366 8381 / +63-2 8366 8341  
Fax: +63-2 8366 8451  
Email: [mhpoly@munhean.com.ph](mailto:mhpoly@munhean.com.ph)